

**DAKOTA BODIES** **ALUMINUM**

# RANGER

**SERVICE BODY**



// Aluminum Body // Steel Bumper & Tailgate // Width: 74" // Length: 69" // Height: 38" // Weight: 575lbs //



**DAKOTA BODIES**

201 20th Ave. SE | PO Box 1655 | Watertown, SD 57201-6655

Toll Free: 866.227.0071 | Fax: 605.882.0828

[www.dakotabodies.com](http://www.dakotabodies.com)

// CUSTOM IS OUR STANDARD //

# RANGER

- SERVICE BODY -

The aluminum Ranger Service Body was designed as a compact unit for service trucks needed for smaller, lighter and faster applications such as narrow streets, low clearance parking garages, hard-to-get places, weight-restricted roads, quick service calls and much more. Although the Ranger body is smaller than traditional service bodies, it still has optimal cargo space available and room for custom options because of its lightweight, aluminum construction.

➤ **LIGHTWEIGHT DESIGN**

- Allows for increased payload

➤ **VERTICAL & HORIZONTAL COMPARTMENT ON EACH SIDE**

➤ **HIDDEN STOWAWAY STORAGE SPACE**

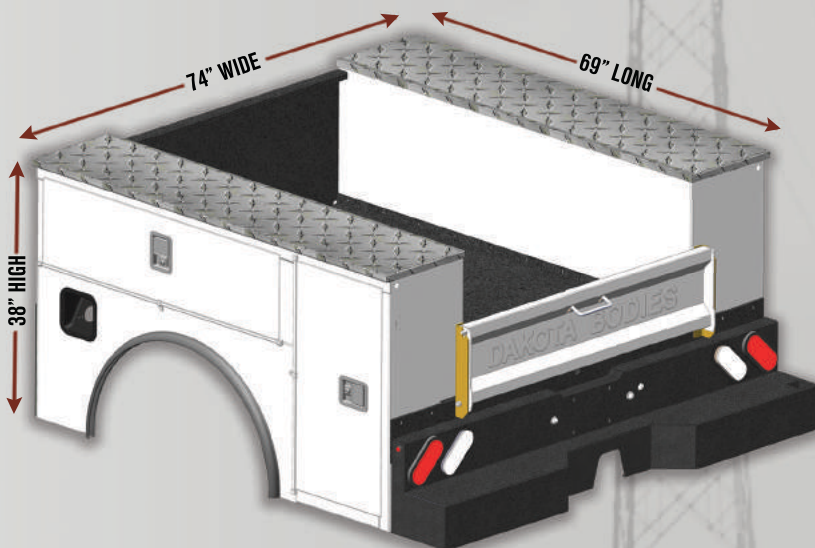
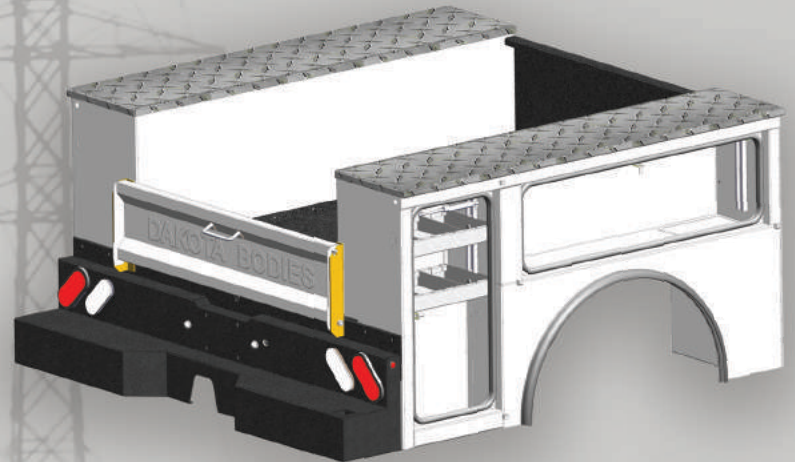
LOCATED IN CURB SIDE HORIZONTAL COMPARTMENT

- Space saving cargo access

➤ **POWDER COAT PROTECTION**

- Superior rust & corrosion resistance

➤ **FITS ON 2019 FORD RANGER 2X4 OR 4X4 SUPERCABS WITH XL TRIM & NO COPILOT 360**



➤ **CUSTOM OPTIONS**

- PUNCHED TREAD BUMPER
- MASTER LOCK SYSTEM
- FLIP-TOP COMPARTMENT
- LED ROPE LIGHTING
- LIGHT BOXES IN SIDEPACKS
- HEADACHE RACK
- TIE DOWN RINGS
- MATERIAL RACK
- E-TRACK OPTIONS
- DIFFERENT DRAWER OPTIONS

// CUSTOM IS OUR STANDARD //